

4K2K IP BULLET CAMERA

YUC-H7B89



Feature

- H.264 4K2K (3840 x 2160) 15fps IP Camera for exceptional detail
- Advanced compression technology reduce 20% bandwidth
- Tampering detection & 3 motion area setup
- Built-in varifocal lens 3-10.5mm
- ESD & Surge protection design
- Support SD card continuous recording
- 3 steps IR control
- Day/night profile adjustment
- 3-Axis bracket included
- Weather proof IP66
- Cold start Heater built-in option
- Mobile view support (push video)
- POE support
- ONVIF compliant



3-step IR Intensity



Save Until 20% of HDD Space



Privacy Mask



Tampering Detection

Specification

YUC-H7B89

| | | |
|-------------------|-------------------|--|
| Server | Compression | H.264 / MJPEG |
| | Resolution | 3840x2160@15fps / 3776x2160@15fps / 2592x1944@15fps / 2048x1536@15fps / 1920x1080@15fps, 1280x720@15fps / 640x480@15fps / 640x360@15fps |
| | Traffic Control | 32K ~ 8Mbps |
| | Max. Frame Rate | 3840 x 2160 @15FPS |
| | Safety | Password protection, IP address filtering, HTTPS encrypted data transmission, 802.1X port-based authentication for network protection, QoS/DSCP |
| | Protocols | IPv6, IPv4, HTTP, HTTPS, SNMP, QoS/DSCP, Access list, IEEE 802.1X, RTSP, TCP/ IP, UDP, SMTP, FTP, PPPoE, DHCP, DDNS, NTP, UPnP, 3GPP, SAMBA, Bonjour, ICMP |
| | Number of User | Max. 10 connections |
| | Storage Capacity | Micro SD card / FTP / NAS(Samba) / E-mail |
| | Alerting | SMTP / FTP / HTTP / Micro SD |
| | Pre / Post Alarm | Pre(0,1,2,3,4,5) / Post(0,1,2,3,4,5,10)seconds |
| | Release for alarm | Motion detection/ I/O / Schedule / Tampering detection |
| Network Camera | Sensor | 1/2.6" Megapixel CMOS sensor |
| | Optical Lens | Vari-focal 3 ~ 10.5mm/F1.4 |
| | View Angle | 33.82~93.41°(H), 18.69~50.23°(V) |
| | D-WDR | Off & 1 ~ 8 level |
| | AGC | 8X ~ 96X |
| | Shutter Time | Outdoor / Indoor/ 1/30 , 1/50 , 1/60 , 1/100 , 1/125 , 1/250 , 1/500 , 1/1000 |
| | Min Illum | 1 Lux(Color) / 0.5 Lux(B/W) |
| | IR LED / Range | 30 PCS / 30M |
| | Day / Night | Light sensor mode / Color mode(Day) / B/W mode(Night) / Times mode / Synchronize with DI input |
| | Intelligent Video | D-WDR / Tampering Detection / Motion Detection / Privacy Mask / DNR/ IR Intensity |
| | Audio | Audio |
| Audio Compression | | G.711(64Kbps) / G.726(24Kbps) / G.726(32Kbps) |
| Adjust Volume | | Mic-in / audio-out web adjustable |
| Audio In | | 3.5mm phone jack(Support 2-way) |
| Audio Out | | 3.5mm phone jack (Support 2-way) |
| Terminal | Network Interface | Ethernet (10Base-T/100Base-Tx) / PoE / WiFi (802.11/b/g/n) |
| | Video Interface | -- |
| | External Port | DI / DO |
| | SD Card | Micro SD Card(Recording trigger for schedule, motion detection, IP check, Network wire break down, DI) |
| General | Operation Voltage | DC 12V Max.: 7.08W(IR on) / 3.96W(IR off) PoE Max.: 8.64W(IR on) / 4.8W(IR off) |
| | Dimen./Weight | 77.4mm(φ) x 125.5mm(H) / 720g |
| | Operation Temp. | -20°C ~ +60°C / -40°C ~ +60°C (cold start heater option) |
| | Waterproof | IP66 |

Certificate : CE , FCC , RoHS

*No SD card slot & local storage function for Argentina

Design Features

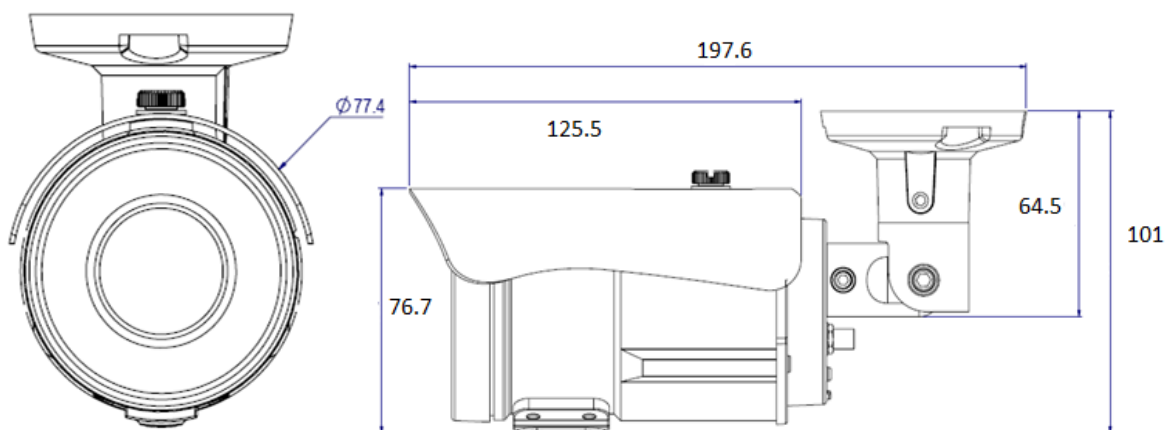


External zoom / Focus adjustment



External SD card slot with cover
(Add rubber for waterproof)

Dimension



Accessories



YUK-D06
Junction Box (option)