

# 4MP IP DOME CAMERA

## YUC-HL82



### Feature

- H.264 4MP (2688x1520) 30fps real time
- Advanced compression technology reduce 20% bandwidth
- Excellent night vision performance with low noise
- Built-in varifocal lens 2.8-12mm
- ESD & surge protection design
- Support SD card continuous recording
- 3 steps IR control
- 3-Axis angle adjust
- Mobile view support (push video)
- POE support
- ONVIF compliant

Low Bandwidth



Save Until 20% of HDD Space



3-step IR Intensity



Tampering Detection

# Specification

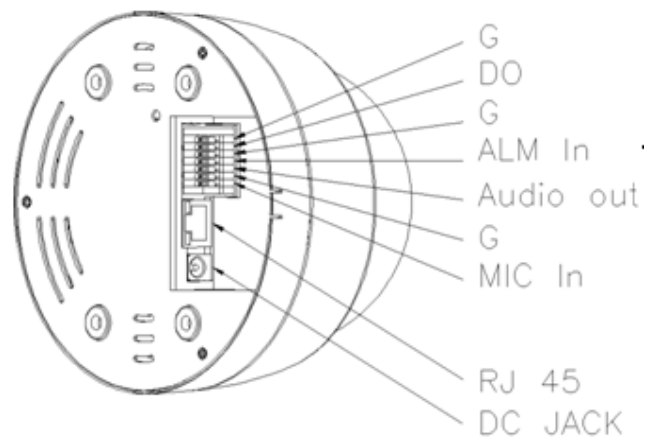
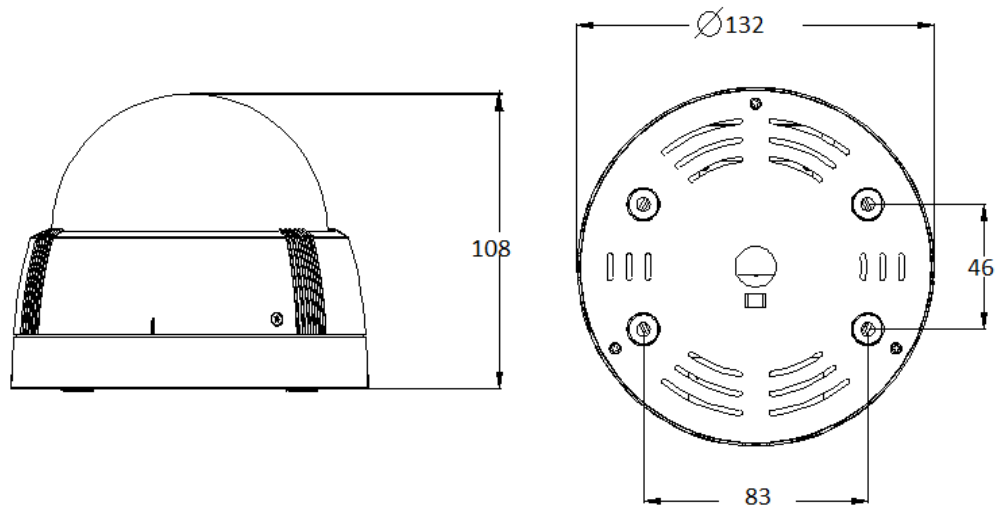
## YUC-HL82

Server	Compression	H.264 / JPEG
	Resolution	2688x1520@30fps, 1920x1080@30fps,1280x720@30fps, 640x360@30fps
	Traffic Control	32K ~ 8Mbps
	Max. Frame Rate	(30fps)2688x1520
	Safety	User-ID and password
	Protocols	Ipv4/v6 / HTTP / HTTPS / QoS Layer 3 level / FTP / SMTP / Bonjour / UPnP / SNMPv1/v2c/v3 / DNS / DDNS / NTP / RTSP / RTP / UDP / IEEE 802.1x / DHCP / Access list filtering
	Number of User	Max. 10 connections
	Storage Capacity	SD / FTP / NAS(Samba) / E-mail
	Alerting	SMTP / FTP / HTTP / SD
	Pre / Post Alarm	Pre(0,1,2,3,4,5) / Post(0,1,2,3,4,5,10) seconds
	Release for alarm	Motion detection/ I/O / Schedule / Tampering Detection
	Network Camera	Sensor
Optical Lens		Vari-focal 2.8 ~ 12mm
View Angle		34.47~92.42°(H), 19.42~48.24°(V)
D-WDR		Off & 1 ~ 8 level
AGC		8X ~ 64X
Shutter Time		Outdoor / Indoor / 1/30 , 1/50 , 1/60 , 1/100 , 1/125 , 1/250 , 1/500 , 1/1000
Min Illum		0.08 Lux (Color), 0.03 Lux (B/W)
IR LED / Range		14pcs / 20M
Day / Night		Light sensor mode / Color mode(Day) / B/W mode(Night) / Times mode / Synchronize with DI input
Intelligent Video		D-WDR / Tampering Detection / Motion Detection / Privacy Mask / Noise Reduction / IR Intensity
Audio	Audio	2-way
	Audio Compression	G.711(64Kbps) / G.726(24Kbps) / G.726(32Kbps)
	Adjust Volume	Mic-in / Line-out web adjustable
	Audio In	Interior line in (Support 2-way)
	Audio Out	Interior line out (Support 2-way)
Terminal	Network Interface	Ethernet(10Base-T/100Base-Tx) / PoE
	Video Interface	--
	External Port	DI / DO
	SD Card	SD Card
General	Operation Voltage	DC 12V Max: 5.64W(IR on) / 3.24W(IR off) PoE Max: 7.2W(IR on) / 4.32W(IR off)
	Dimen./Weight	132mm(φ) x 108mm(H) / 680g
	Operation Temp.	-10°C ~ +50°C

Certificate : CE , FCC , RoHS

\*No SD card slot & local storage function for Argentina

## Dimension



## Accessories



YUK-D07  
L-Type bracket (option)