

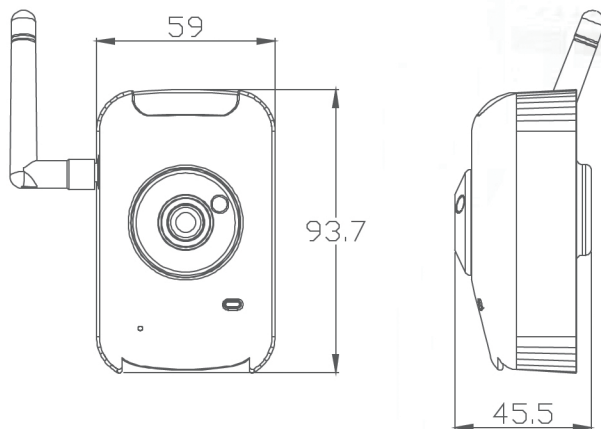
Indoor Mega Pixel Network Cube Camera

YUC-HS96

Feature

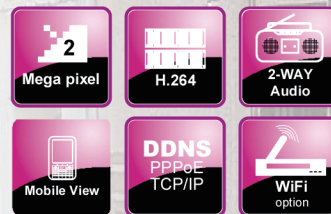
- Compact size & easy operation
- H. 264/ MPEG-4/ JPEG triple codec
- 2-way audio support for easiest communication
- Mobile surveillance
- Wireless support
- ONVIF compliant

IP cam



YUC-HS96

Camera Features	Image Pick-up Device	1/4" Progressive Scan CMOS sensor
	Effective Pixels (H x V)	1600x1200
	Min Illum	0.5 Lux
	Lens Type	Fixed Lens
	Focal Length/ F-number	f. 4.3mm, F: 2.0
	Electronic Shutter Speed	1/5~1/100,000 second(s)
	Gain Control	AGC Adjustable (4x~64x)
Image	Network Compression	H.264/ MPEG-4/ M-JPEG
	Image Size	1600x1200, 1280x1024, 1280x960 800x592, 640x480, 320x240, 176x144
	Max. Frame Rate	30fps(640x480), 15fps (1600x1200)
	Intelligence Support	Motion Detection, Privacy Mask, VBR/CBR
Network Server	Protocols	TCP, UDP, IP, HTTP, FTP, SMTP, DHCP, PPPoE, DNS, DDNS, NTP UPnP, UPnP forwarding, RTSP
	Traffic Controls	32/48/64/96/128/196/256/320/384/448/512/576/640/704/768Kbps 1/1.5/2/2.5/3/3.5/4/6/8Mbps
	Number of Users	Max. 10 connections for singal video
	Safety	User-ID and password
Audio	Audio Communication	2-way-halfduplex
	Audio Compression	ADPCM 32Kbps
	Frequency	300 Hz - 3.4KHz
	Audio In	Built-in Mic, Support 2-way audio
Interface	Audio Out	3.5mm, line out for external speaker
	Ethernet	RJ45(10/ 100Base-T)
General	Wireless	802.11b/g
	Operation Voltage	DC 12V
	Dimen./Weight	93.7(H)x59(W)x45.5(D)mm 80g / 12pcs per carton
	Operation Temp.	-10℃ ~ +45℃, relative moisture 20%-90%
Included Accessories		CD/ IP recorder/ IP installer/ Installation guide/ Detail user manual/ Bracket



Product code:P-PoE