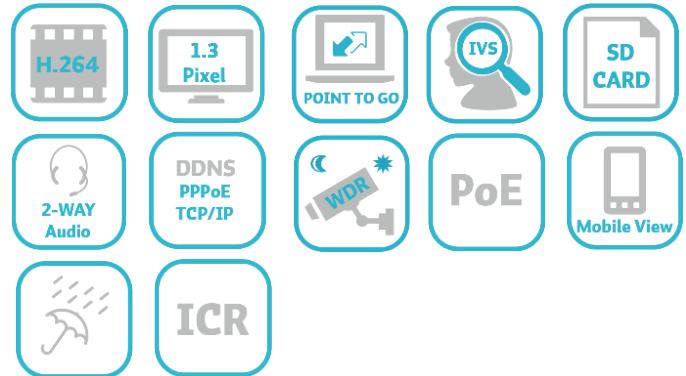


1.3MP OUTDOOR IP SPEED DOME CAMERA

YUC-HX22-O

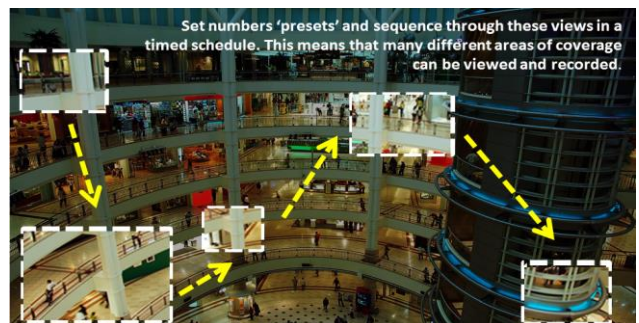


Feature

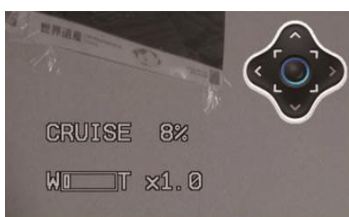
- H.264 1.3MP/1024P 30fps IP speedome
- 22X optical zoom with 4X digital zoom
- Point- to- go for easy PTZ control (patrol groups)
- 256 preset points
- Support cruise
- ESD & surge protection design
- Support SD card continuous recording up to 64G
- Mobile view support (push video)
- POE support
- ONVIF compliant



Point- To- Go



Patrol



Cruise

Specification

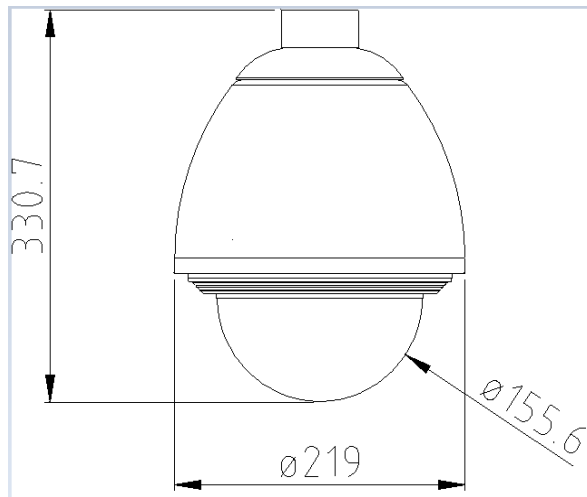
YUC-HX22-O

Server	Compression	H.264 / MJPEG
	Resolution	1280x1024 / 1280x960 / 1280x720 / 640x480 / 320x240 / 176x144
	Traffic Control	32K ~ 8Mbps
	Max. Frame Rate	(30fps)1280x1024
	Safety	User-ID and password
	Protocols	IPv6, IPv4, HTTP, HTTPS, SNMP, QoS/DSCP, Access list, IEEE 802.1X, RTSP, TCP/ IP, UDP, SMTP, FTP, PPPoE, DHCP, DDNS, NTP, UPnP, 3GPP, SAMBA
	Number of User	Max. 10 connections
	Storage Capacity	Micro SD / FTP / NAS(Samba) / E-mail
	Alerting	SMTP / FTP / HTTP / Micro SD
	Pre / Post Alarm	Pre(0,1,2,3,4,5) / Post(0,1,2,3,4,5,10)seconds
	Release for alarm	Motion detection/ I/O / Schedule
Network Camera	Sensor	1/3" Megapixel Panasonic CMOS sensor
	Optical Lens	22X optical zoom lens / f=4.7 - 103.4mm / F1.6 - 3.1
	Shutter Time	1/100~ 1/10000
	Min Illum	0.1 Lux(Color) / 0.05 Lux(B/W)
	Sense-Up	Off ~ x256(10 levels)
	Pan / Tilt Range	Pan: 360° / Tilt: 10°~180° auto flip
	Manual Control Speed	Pan: 0.45°~90°/s / Tilt: 0.35°~45°/s
	Day / Night	Auto / Color / B/W / Time Mode with auto ICR
	Intelligent Video	D-WDR / Cruise / Point-To-Go / Diagonal Movement / Digital Image Stabilizer / Preset Point (Patrol Group)
Audio	Audio	2-way
	Audio Compression	G.711(64K) / G.726(24K) / G.726(32Kbps)
	Adjust Volume	Mic-in / Line-out web adjustable
	Audio In	Interior line in (Support 2-way)
	Audio Out	Interior line out (Support 2-way)
Terminal	Network Interface	Ethernet(10Base-T/100Base-Tx) / PoE
	Video Interface	--
	External Port	2 DI / 1 Relay out
	SD Card	Micro SD(Up to 64GB)
General	Operation Voltage	AC 24V Max: 15.8W PoE Max: 16.09W
	Dimen./Weight	219mm(φ) x 330.7mm(H) / 4.5Kg
	Operation Temp.	-20°C ~ + 50°C (without heater)
	Waterproof	IP66

Certificate : CE , FCC , RoHS

*No SD card slot & local storage function for Argentina

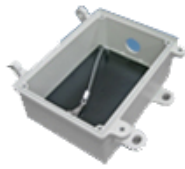
Dimension



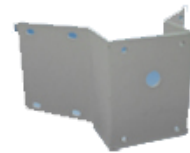
Accessories (option)



YCK-10DX
USB 3D Keypad



A-JB01
Junction Box



A-CA01
Corner Adapter



A-WM01
Wall Mount Bracket



A-PM01
Pole Mount Bracket



A-PM01
Pendant Mount Bracket