

H.265 4MP IP VANDAL DOME CAMERA

YUC-Ki82



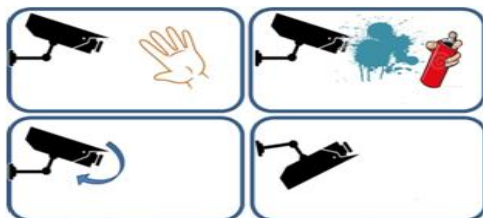
Feature

- H.265 compression saves bandwidth up to 50%
- 4MP (2592x1520) 25fps real time
- Excellent night vision performance with low noise
- Built-in varifocal lens 2.8-12mm
- ROI (Region of Interest) function
- ESD & surge protection design
- Support SD card continuous recording up to 64G
- Tampering detection & 3 motion area setup
- Day/night profile adjustment
- 3-Axis adjust
- Vandal proof & weather proof IP66
- Heater built-in option
- Mobile view support (push video)
- POE support
- ONVIF compliant

Low Bandwidth



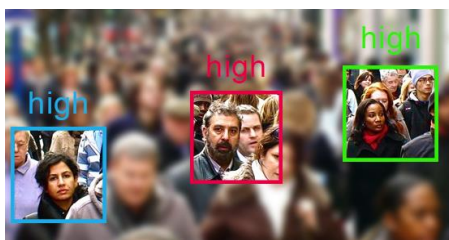
Save Until 50% of HDD Space



Tampering Detection



IR Optimizer



Region of Interest for 3 areas



Digital Image Stabilization

Specification

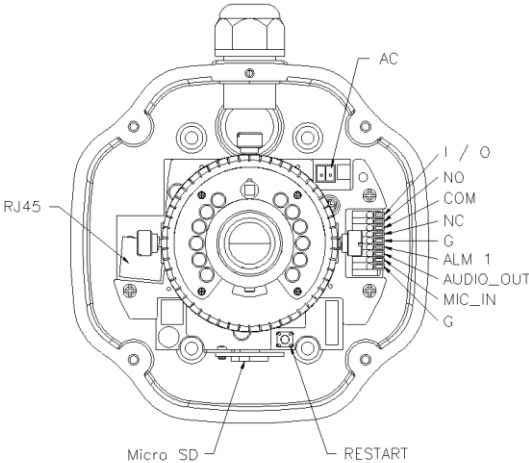
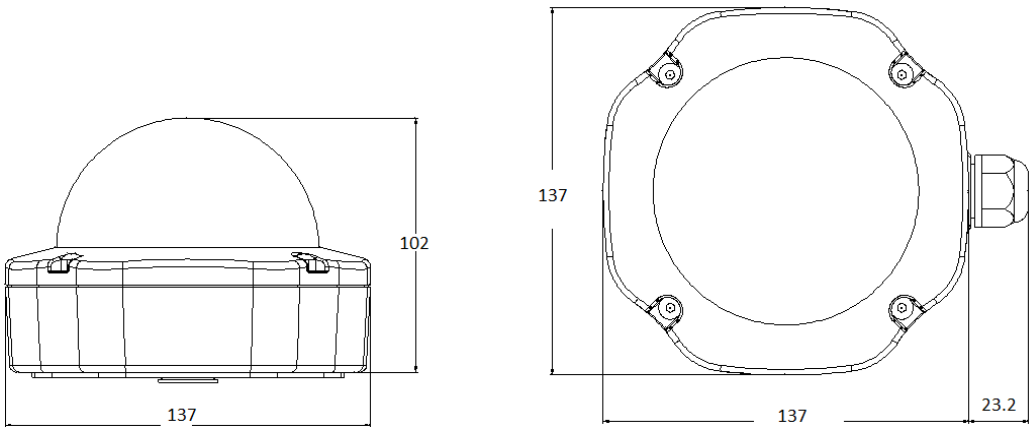
YUC-Ki82

Server	Compression	H.265/ H.264/ JPEG
	Resolution	2592x1520@25fps, 2048x1536@30fps, 1920x1080@30fps, 1600x1200@30fps, 1280x960@30fps, 1280x720@30fps, 800x600@30fps, 640x480@30fps, 640x360@30fps, 320x240@30fps
	Traffic Control	32K ~ 8Mbps
	Max. Frame Rate	(25fps)2592x1520
	Safety	Password protection, IP address filtering, HTTPS encrypted data transmission, 802.1X port-based authentication for network protection, QoS/DSCP
	Protocols	IPv6, IPv4, HTTP, HTTPS, SNMP, QoS/DSCP, Access list, IEEE 802.1X, RTSP, TCP/ IP, UDP, SMTP, FTP, PPPoE, DHCP, DDNS, NTP, UPnP, 3GPP, SAMBA, Bonjour
	Number of User	Max. 10 connections
	Storage Capacity	Micro SD card / FTP / NAS(Samba) / E-mail
	Alerting	SMTP / FTP / Samba / Micro SD
	Pre / Post Alarm	Pre(0,1,2,3,4,5) / Post(0,1,2,3,4,5,10)seconds
	Release for alarm	Motion detection/ I/O / Schedule / Tampering Detection / Sound Detection
Network Camera	Sensor	1/3" Megapixel CMOS sensor
	Optical Lens	Vari-focal 2.8 ~ 12mm @ F1.4
	View Angle	34.47~92.42°(H), 19.42~48.24°(V)
	D-WDR	Off & 1 ~ 8 level
	AGC	8X ~ 64X
	Shutter Time	Outdoor / Indoor/ 1/30 , 1/50 , 1/60 , 1/100 , 1/125 , 1/250 , 1/500 , 1/1000 , 1/5000 , 1/10000
	Min Illum	0.08 Lux (Color), 0.03 Lux (B/W)
	IR LED / Range	14pcs / 20M
	Day / Night	Light sensor mode / Color mode(Day) / B/W mode(Night) / Times mode / Synchronize with DI input
	Intelligent Video	ROI/ DIS / D-WDR / Tampering Detection / Motion Detection / Privacy Mask / 3D-De Noise Reduction / IR Optimizer / Anti-fog / IR Intensity / Sound Detection / Corridor Mode
Audio	Audio	2-way
	Audio Compression	G.711(64Kbps) / G.726(24Kbps) / G.726(32Kbps)
	Adjust Volume	Mic-in / Line-out web adjustable
	Audio In	External audio in (Support 2-way)
	Audio Out	External line out (Support 2-way)
Terminal	Network Interface	Ethernet(10Base-T/100Base-Tx) / PoE
	Video Interface	BNC, Video Composit (NTSC / PAL)
	External Port	DI / DO
	SD Card	Micro SD(Up to 64GB)
General	Operation Voltage	DC 12V Max: 4.92W(IR on) / 2.52W(IR off) PoE Max.: 6.24W(IR on) / 3.36W(IR off)
	Dimen./Weight	137mm(ø) x 102mm(H) / 890 g
	Operation Temp.	-20°C ~ +60
	Waterproof	IP66
	Vandal Proof	IK10

Certificate : CE , FCC , RoHS

*No SD card slot & local storage function for Argentina

Dimension



HLV-1H001

Accessories



YUK-D07
L-Type bracket (option)